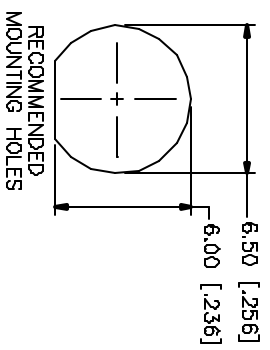
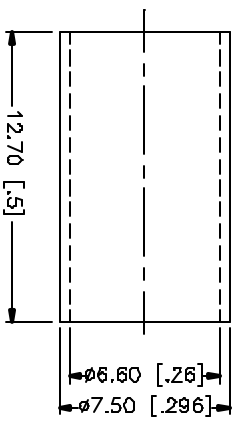
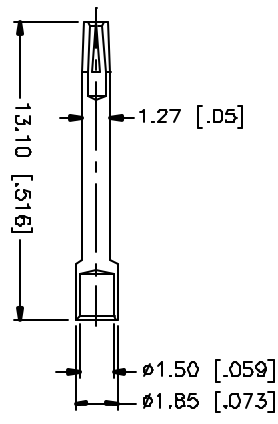
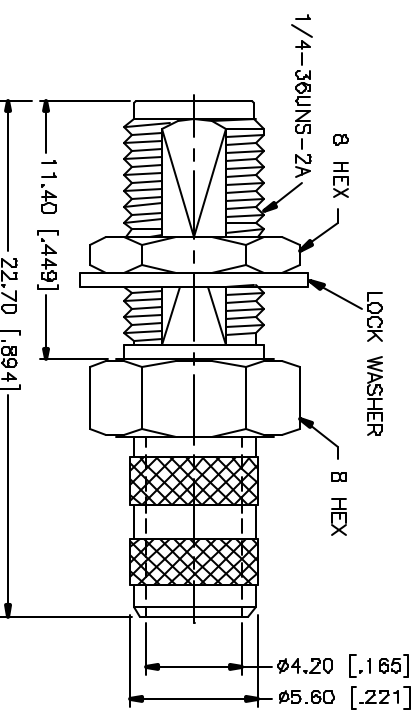
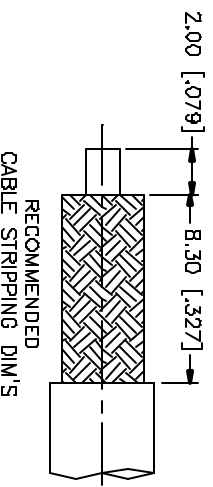


| REV. | DATE | DESCRIPTION |
|------|----------|-----------------------|
| NC | 08/27/98 | INITIAL RELEASE |
| A | 05/01/04 | UPDATE DRAWING FORMAT |



| QTY | FINISH | MATERIAL | DESCRIPTION |
|-----|---------|-------------|-------------|
| 1 | GOLD | BRASS | BODY |
| 1 | NATURAL | TEFLON | INSULATOR |
| 1 | GOLD | BERL COPPER | CONTACT PIN |
| 1 | GOLD | BRASS | LOCK WASHER |
| 1 | GOLD | BRASS | HEX NUT |
| 1 | GOLD | COPPER | FERRULE |
| | | | |
| | | | |
| | | | |

| APPROVALS | DATE | DESCRIPTION |
|--------------|----------|--|
| DRWN G.R.S. | 05/01/04 | <p>Amphenol Connex</p> <p>SMA BULKHEAD CRIMP JACK (FOR RG-8/X, LMR-240)</p> |
| CHECKED | | |
| ISSUED | | |
| SHEET 1 OF 1 | | PART NO. 132241 |

| | | | |
|---------------------|--------|--------|----------|
| DWG. NO. 132241.DWG | REV. A | SIZE A | SCALE NA |
|---------------------|--------|--------|----------|

UNLESS OTHERWISE SPECIFIED DIMENSIONS ARE IN INCHES AND DECIMAL INCHES ONLY.
UNLESS OTHERWISE SPECIFIED DIMENSIONS FOR MOUNTING ARE:
D.5 - 30mm ± 0.20mm
B - 30mm ± 0.40mm
3.0 - 120mm ± 0.60mm
UNLESS OTHERWISE SPECIFIED DIMENSIONS FOR METERS ARE:
.020 - .315 = ± 0.007"
.315 - 1.180 = ± 0.015"
1.180 - 4.724 = ± 0.020"

DO NOT SCALE DRAWING

DWG FILE C:/132/132241.DWG